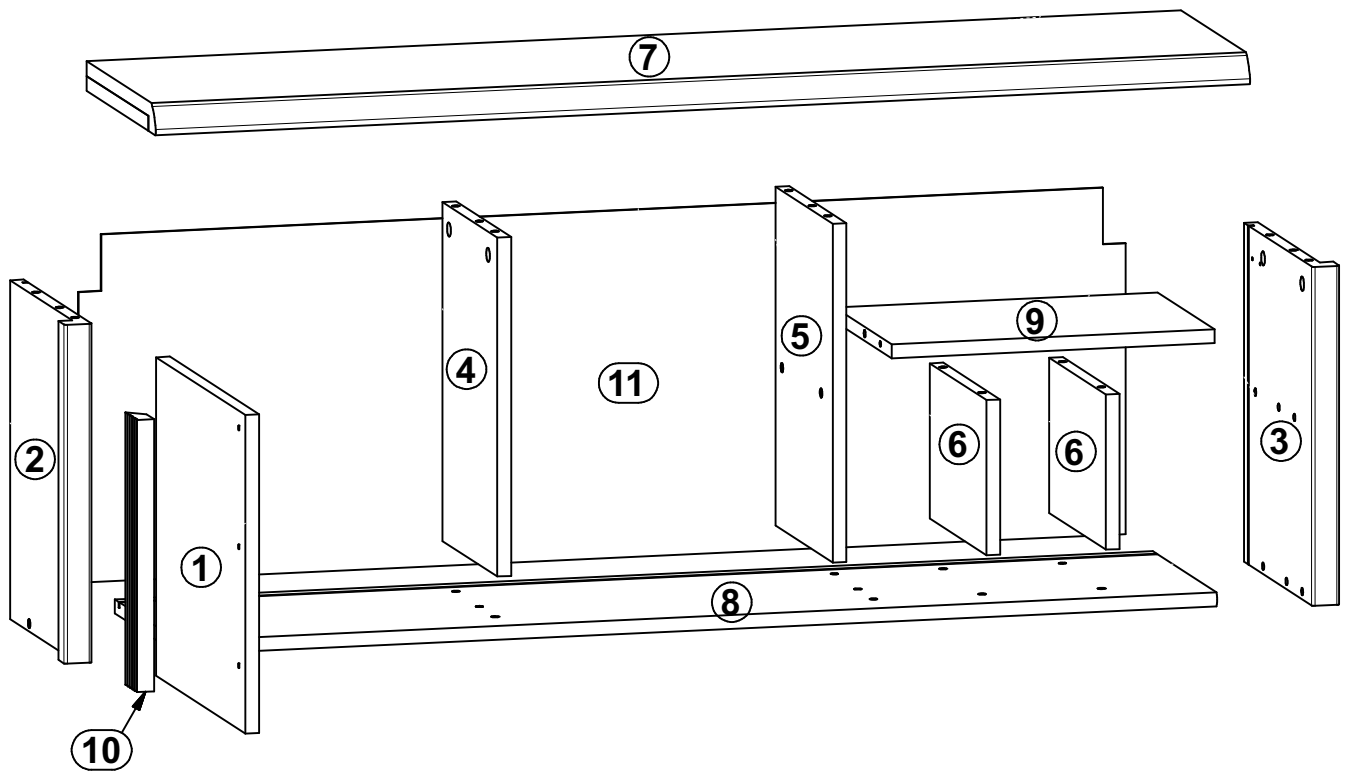
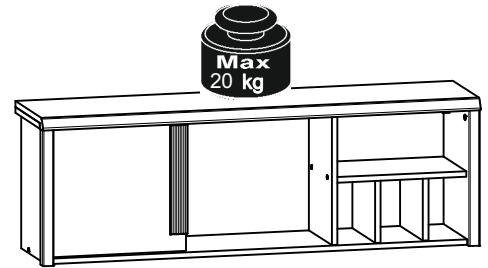


CAPS

S153-SFW1D/120

A	B	C	D	
1	S153-0014	343	365	1/2
2	S153-1119A	365	279	1/2
3	S153-1120A	365	279	1/2
4	S153-1121	365	224	1/2
5	S153-1124	365	234	1/2
6	S153-1125	167	232	1/2
7	S153-2206	1204	283	1/2
8	S153-3317	1138	263	1/2
9	S153-3319	354	233	1/2
10	S153-581	293	49	2/2
11	S153-911	1148	374	1/2

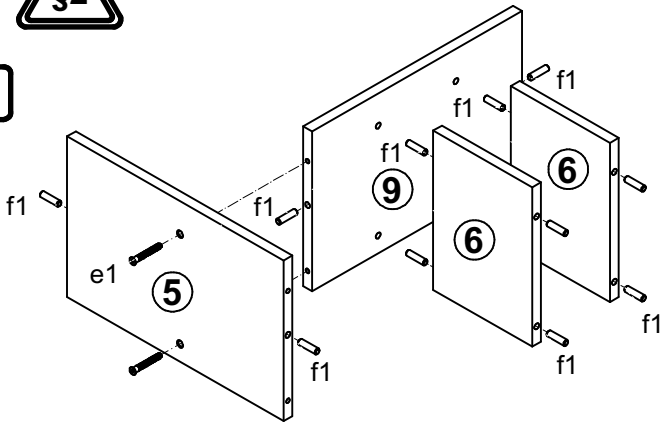


2x K16 a43	2x D5 b19	12x e1 φ7x50 mm	4x e2 φ6,3x13 mm	18x f1 φ8x30 mm	4x f35 φ10x50 mm	15x l1	8x l2	2x n122
2x n10	4x p21 φ4x30 mm	4x p51 φ3,5x15 mm	3x p60 φ4x22 mm	4x p17 φ5x60 mm	8x r1 φ1,5x12mm #16	8x r42	12x s1	6x s2 ø16
1x z1								

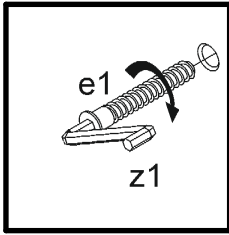
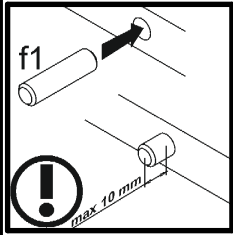
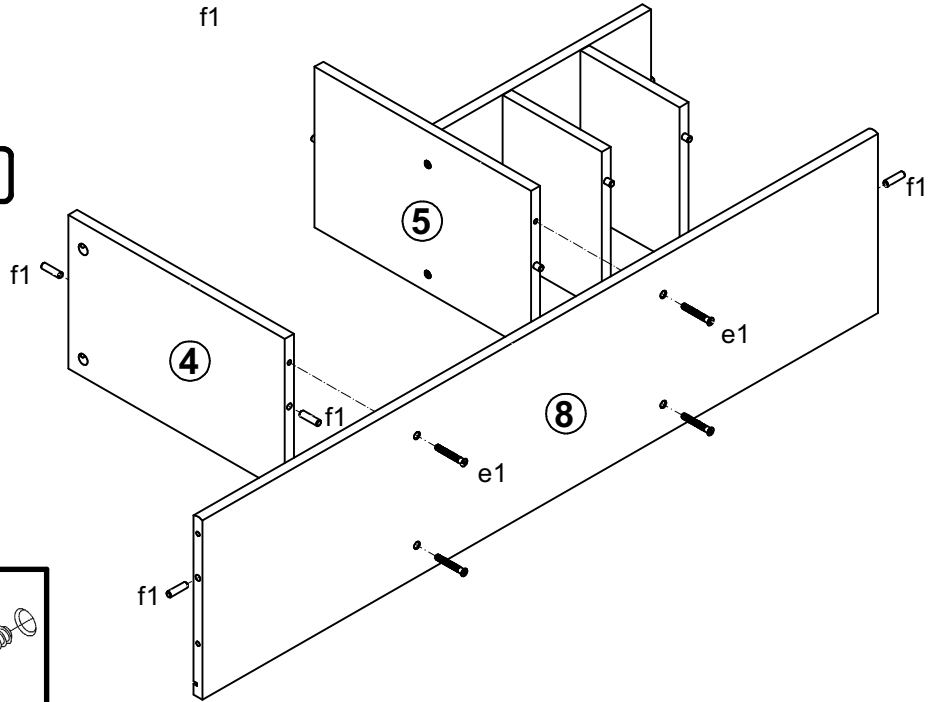
1



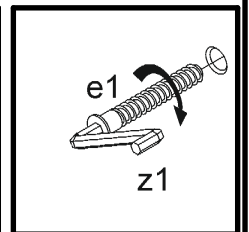
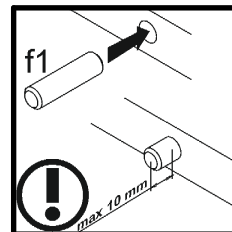
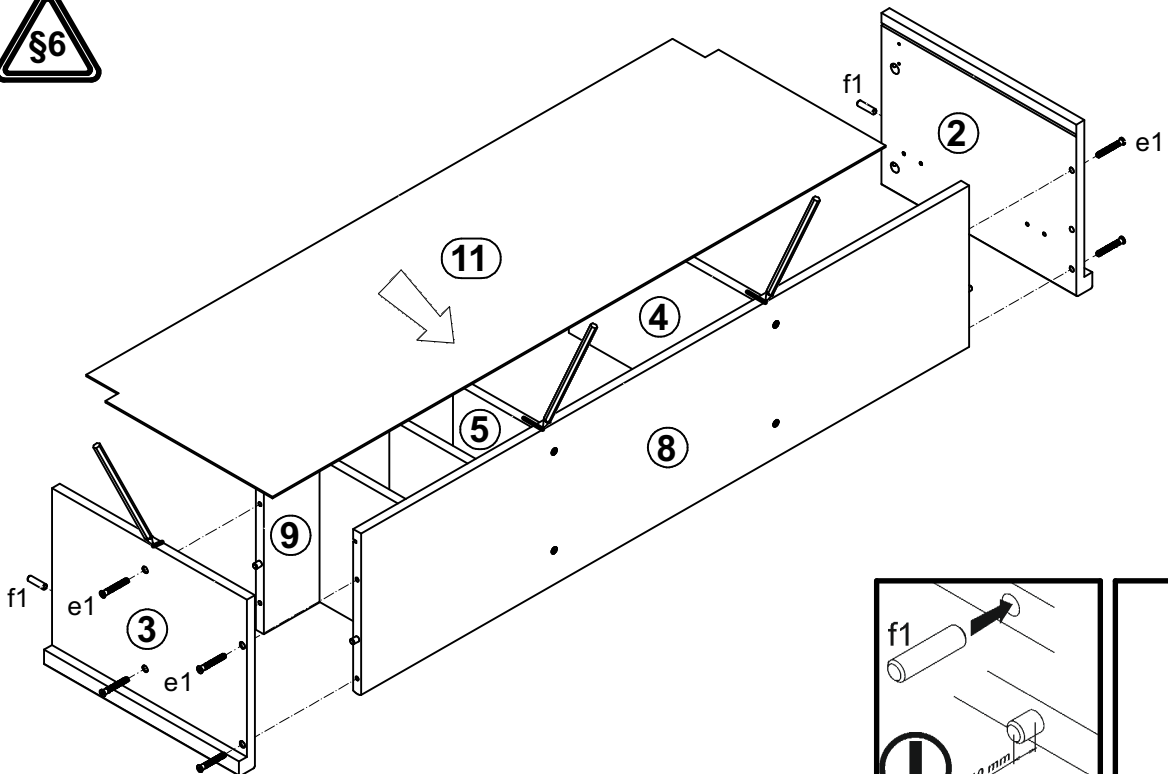
I

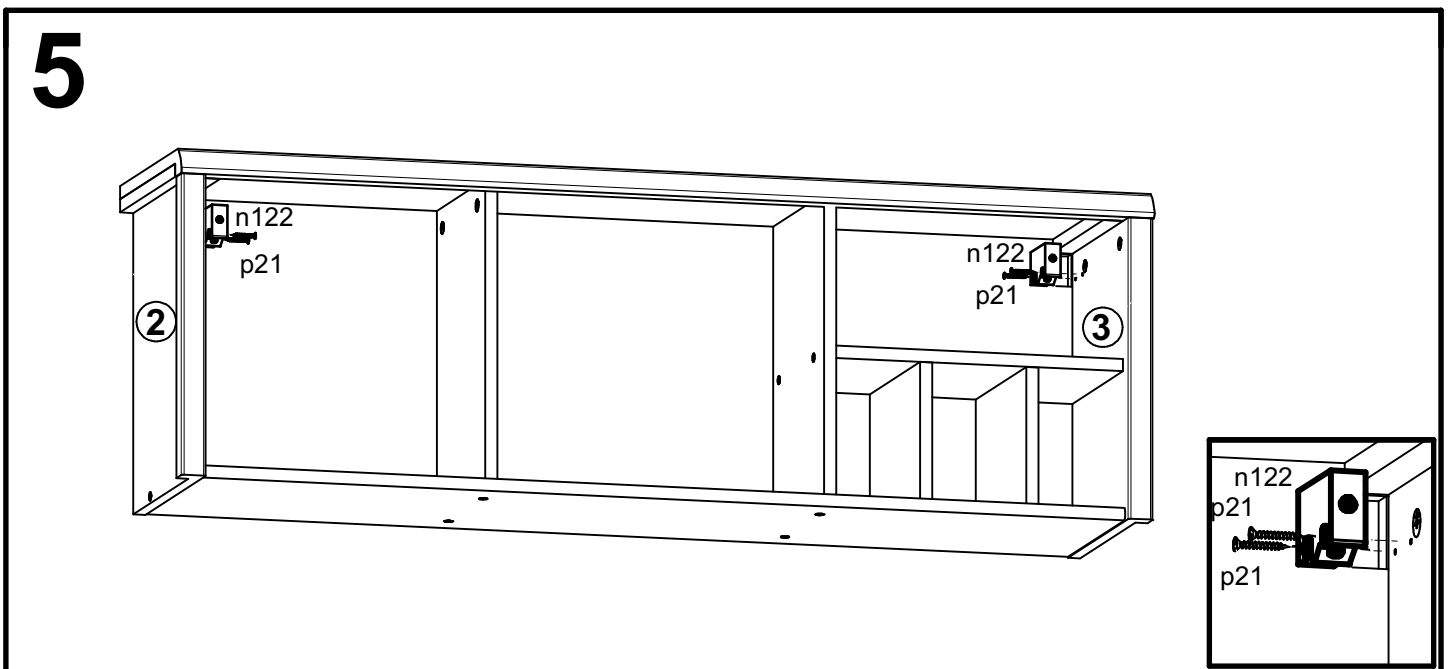
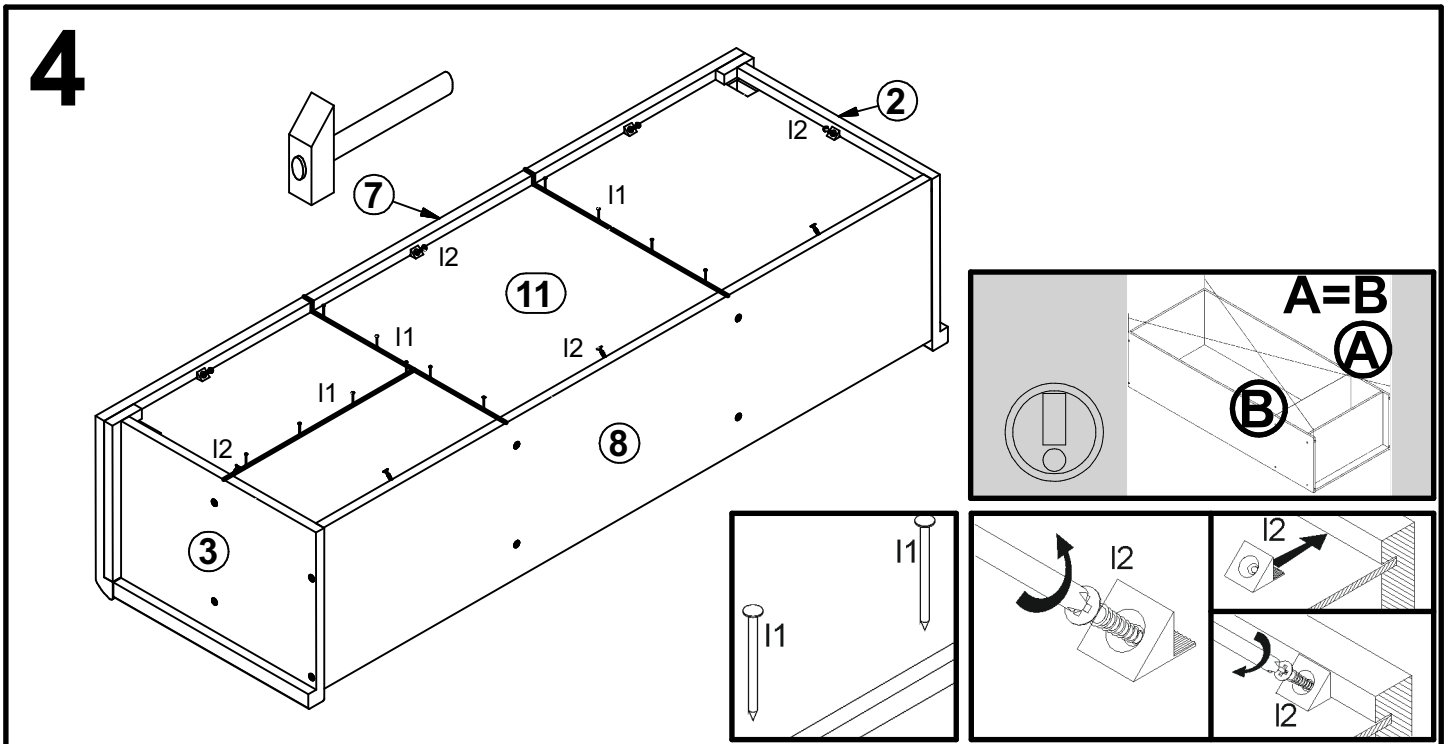
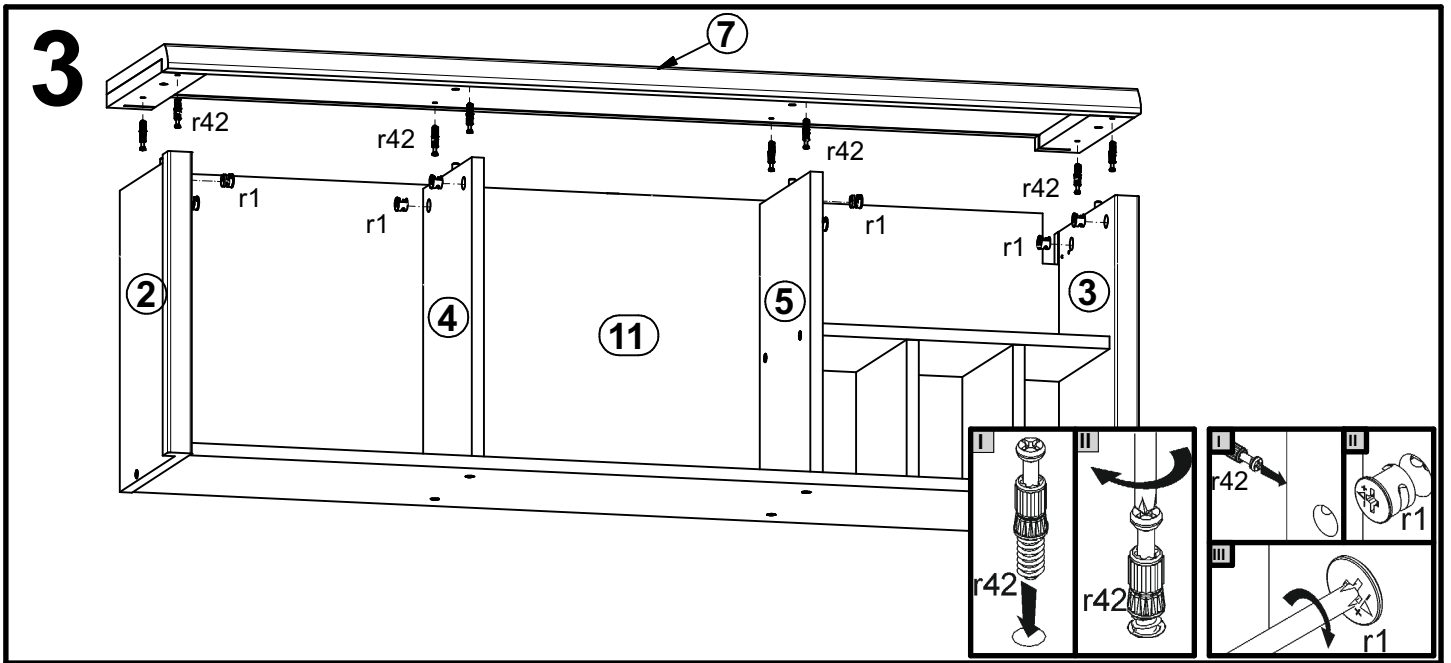


III

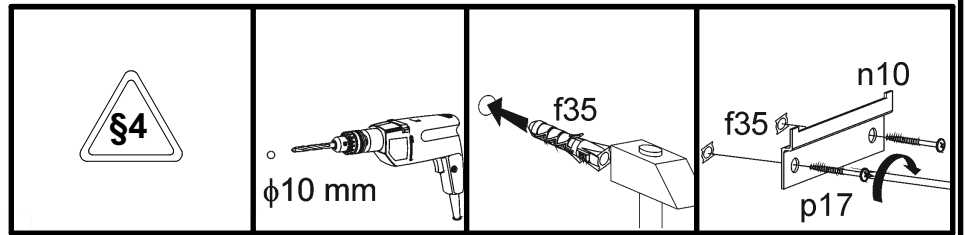
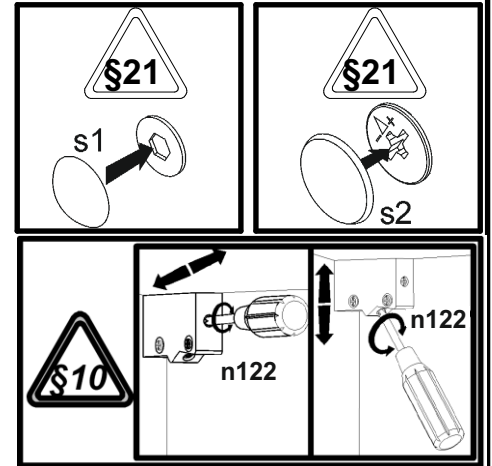
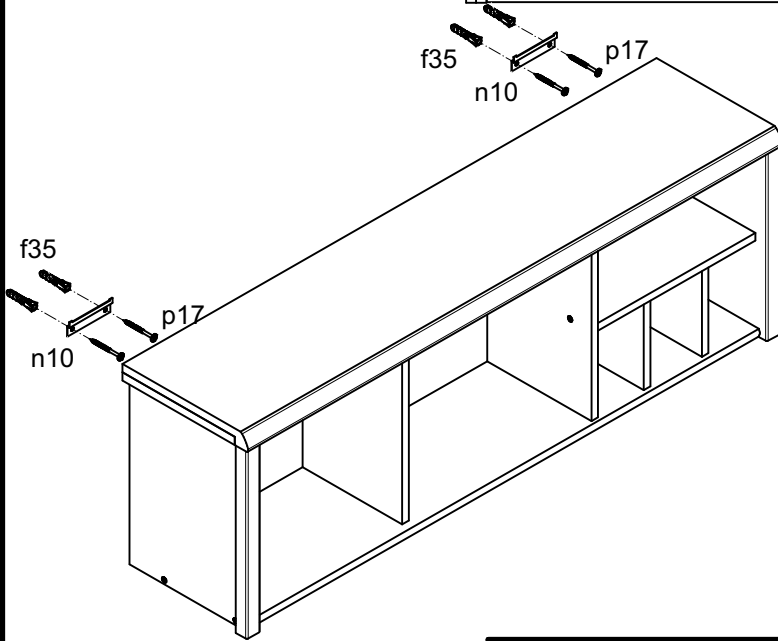
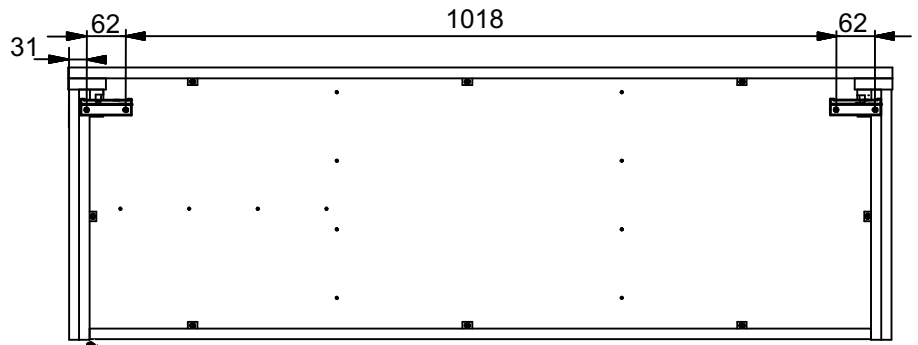


2





6



7

